

Technical data

**Axial fans
Series FE**



Axial fans Series FE

Contents of delivery

Standard version

Voltage

1~ 115 V

3~ two-speed 460 V Δ/Y

Frequency

60 Hz

Thermal insulation class

155 (previous: insulation class F)

Protection

IP 54

Motor protection

Thermostat switch (TB)

Paint finish

RAL 9005 black

Accessories

See section Accessories

Necessary order data

Article no., Type

On request, at extra charge

- Different voltage to 115 resp. 460 V
- 50 Hz



FE... design K



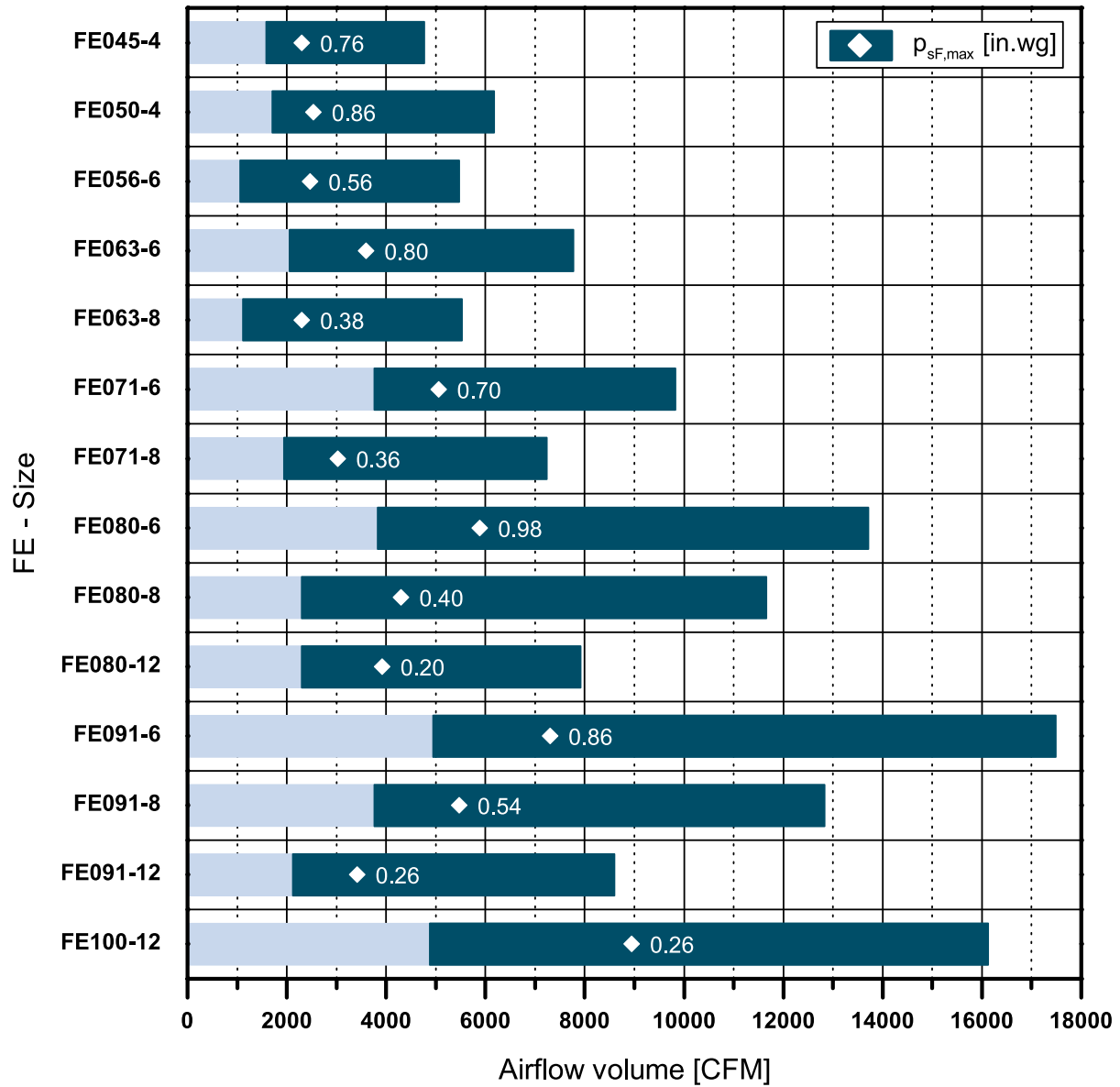
FE... design Q / "V"



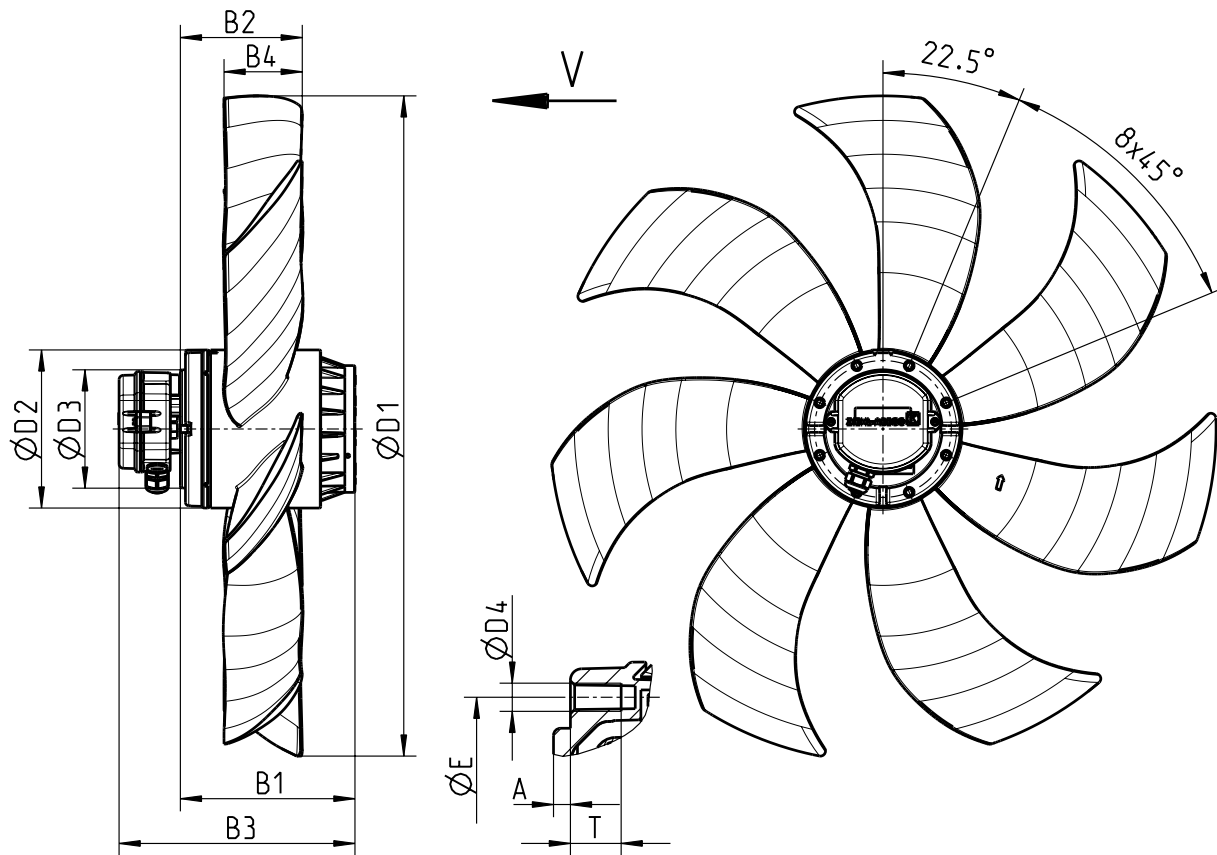
FE... design Q / "A"

FE

Quick selection



FE



L-KL-2670

FE

Type	Article no.	A		B1		B2		B3		B4		D1		D2		D3		D4	E		T	
		mm	inch	mm	inch	mm	inch	mm	inch	mm	inch	mm	inch	mm	inch	mm	inch		mm	inch	mm	inch
FE071-SDA.6K.V7	141 479	6	0.24	182	7.17	127	5	254.5	10.02	72	2.83	703	27.68	187	7.36	140	5.51	M10	162	6.38	18	0.71
FE071-ADA.6F.V7	140 673	6	0.24	157	6.18	127	5	229.5	9.04	72	2.83	703	27.68	187	7.36	140	5.51	M10	162	6.38	18	0.71
FE080-SDA.6N.V7	140 676	6	0.24	207	8.15	144	5.67	279.5	11	93	3.66	788	31.02	187	7.36	140	5.51	M10	162	6.38	18	0.71
FE080-ADA.6N.V7	140 679	6	0.24	207	8.15	144	5.67	279.5	11	93	3.66	788	31.02	187	7.36	140	5.51	M10	162	6.38	18	0.71
FE080-NDA.6K.V7	141 591	6	0.24	182	7.17	144	5.67	229.5	9.04	93	3.66	788	31.02	187	7.36	140	5.51	M10	162	6.38	18	0.71
FE091-SDA.6N.V5	140 682	6	0.24	207	8.15	118	4.65	279.5	11	53	2.09	905	35.63	187	7.36	140	5.51	M10	162	6.38	18	0.71
FE091-ADA.6N.V7	141 526	6	0.24	207	8.15	118	4.65	279.5	11	53	2.09	905	35.63	187	7.36	140	5.51	M10	162	6.38	18	0.71
FE091-NDA.6K.V7	140 685	6	0.24	182	7.17	118	4.65	229.5	9.04	53	2.09	905	35.63	187	7.36	140	5.51	M10	162	6.38	18	0.71
FE100-NDA.6N.V7	140 688	6	0.24	207	8.15	165	6.5	279.5	11	98	3.86	990	38.98	187	7.36	140	5.51	M10	162	6.38	18	0.71

L-KL-2670

Electrical connection
Terminal box K07